

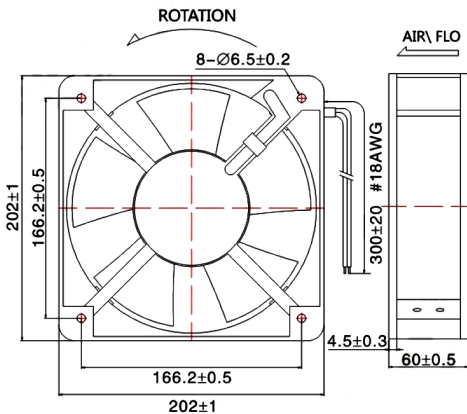
型号：20060



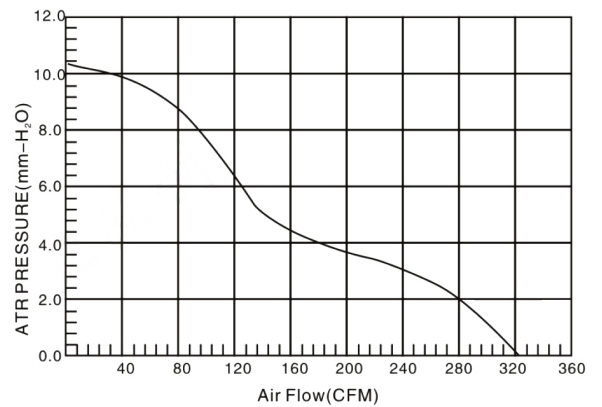
- (1) 轴承结构：含油/双滚珠
Bearing Construction: oil/double ball
- (2) 外框材质：铝合金
Frame material: Aluminum Alloy
- (3) 扇叶材质：PBT加强料
Fan material: PBT reinforcing material
- (4) 线材：粗铜线
Wire: ordinary wire
- (5) 风扇重量：1700g
Fan weight: 1700g



★ Dimensions Drawing(外观图)



★ Characteristic Curves(特性曲线)



MODEL	Bearing System	Rated Voltage (V)	Freq (Hz)	Current (A)	Input Power (W)	Speed (RPM)	Air flow (CFM)	Static Pressure (mm-H ² O)	Niose Level (dB-A)	Weight (g)
型号	轴承	电压	频率	电流	功率	转数	气流	风压	噪音	重量
GBOC20060HA1BA	Ball	110	60	0.69	56	2500	325	10.40	59	1700
GBOC20060HA2BA	Ball	220	50	0.30	48	2500	325	10.40	59	1700
GBOC20060HA3BA	Ball	380	50	0.16	45	2500	325	10.40	59	1700

DC FAN
DC风扇

AC FAN
AC风扇

EC FAN
EC风扇

External Rotor Fan
外转子风机

Centrifugal Fan
离心风机

Constant current fan
恒流风机

Fan Shroud
风扇网罩