

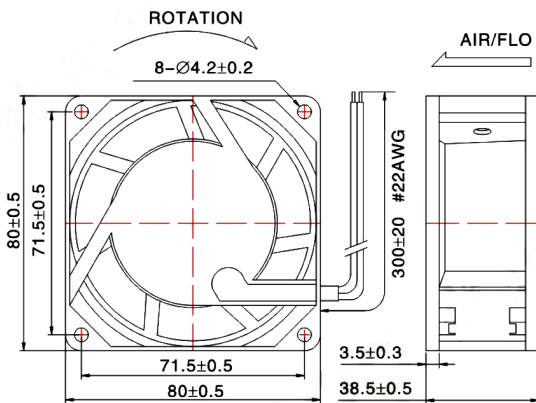
型号: 8038



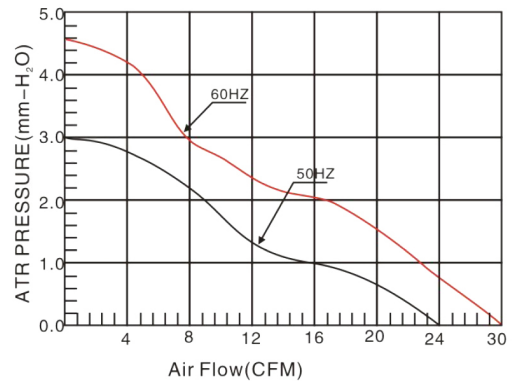
- (1) 轴承结构: 含油/双滚珠
Bearing Construction: oil/double ball
- (2) 外框材质: 铝合金
Frame material: Aluminum Alloy
- (3) 扇叶材质: PBT加强料
Fan material: PBT reinforcing material
- (4) 线材: 粗铜线
Wire: ordinary wire
- (5) 风扇重量: 300g
Fan weight: 300g



★ Dimensions Drawing(外观图)



★ Characteristic Curves(特性曲线)



MODEL	Bearing System	Rated Voltage (V)	Freq (Hz)	Current (A)	Input Power (W)	Speed (RPM)	Air flow (CFM)	Static Pressure (mm-H ₂ O)	Niose Level (dB-A)	Weight (g)
型号	轴承	电压	频率	电流	功率	转数	气流	风压	噪音	重量
GBOC8038HA1SA	Sleeve	110	50/60	0.17/0.13	12.5/9.0	2250/2900	23/29	2.54/4.57	26/29	300
GBOC8038HA1BA	Ball	110	50/60	0.17/0.13	12.5/9.0	2300/3000	24/30	2.70/4.82	26/29	300
GBOC8038HA2SA	Sleeve	220	50/60	0.08/0.06	11.0/8.0	2350/2800	24/28	2.72/4.50	26/29	300
GBOC8038HA2BA	Ball	220	50/60	0.08/0.06	11.0/8.0	2450/2900	25/29	2.75/4.57	26/29	300

DC FAN
DC风扇

AC FAN
AC风扇

EC FAN
EC风扇

External Rotor Fan
外转子风机

Centrifugal Fan
离心风机

Constant current fan
恒流风机

Fan Shroud
风扇网罩