

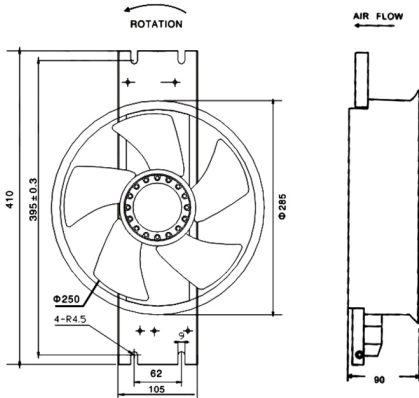
**型号: 250FZY**



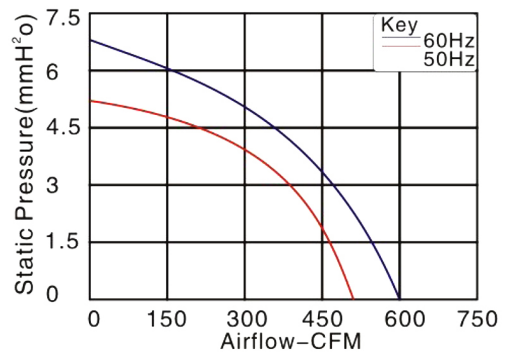
- (1) 外框材质: 钢  
Frame material: steel
- (2) 气流方向: 轴流  
Airflow direction: axial flow
- (3) 机身材质: 全金属铁叶  
Material: All metal
- (4) 叶片数: 5  
Number of leaves: 5



★ Dimensions Drawing(外观图)



★ Characteristic Curves(特性曲线)



MODEL	Bearing System	Voltage (V)	Freq (Hz)	Current (A)	Power (W)	Speed (RPM)	Noise (dBA)	Air flow		Phase	Capacitor
								M3/hr	CFM		
型号	轴承	电压	频率	电流	功率	转速	噪音	气流		阶段	电容
GBOC250FZY2	Ball	200/240	50/60	0.2	40	1300/1500	58/63	840/960	494/565	1	4.0uf/450v
GBOC250FZY3		380/420	50/60	0.1	40	1300/1500	58/63	840/960	494/565	3	—
GBOC250FZY4		380/420	50/60	0.12	40	1300/1500	58/63	840/960	494/565	1	2.0uf/630v
GBOC250FZY6		200/240	50/60	0.5	100	2300/2700	68/73	1320/1480	776/870	1	4.0uf/450v
GBOC250FZY7		380/420	50/60	0.2	100	2300/2700	68/73	1320/1480	776/870	3	—
GBOC250FZY8		380/420	50/60	0.35	100	2300/2700	68/73	1320/1480	776/870	1	2.0uf/630v