

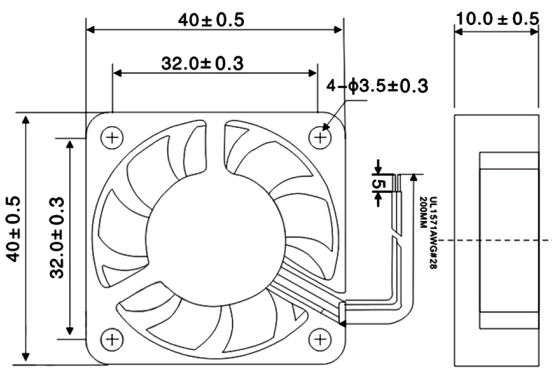
型号：4010



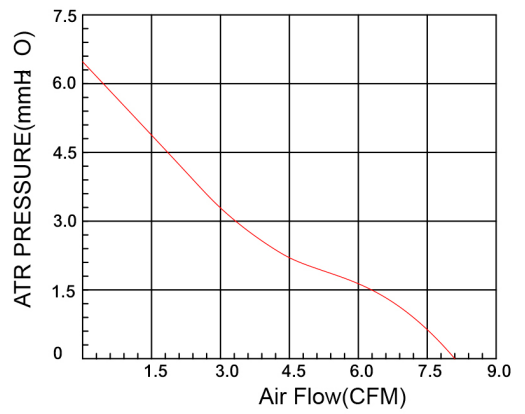
- (1) 轴承结构：含油/双滚珠
Bearing Construction: oil/double ball
- (2) 外框材质：PBT加强料
Frame material: PBT reinforced material
- (3) 扇叶材质：PBT加强料
Fan material: PBT reinforcing material
- (4) 线材：优质铜线
Wire: high quality copper wire
- (5) 风扇重量：12g
Fan weight: 12g



★ Dimensions Drawing(外观图)



★ Characteristic Curves(特性曲线)



MODEL	Bearing System	Rated Voltage (V)	Current (A)	Input Power (W)	Speed (RPM)	Weight (g)
型号	轴承	电压	电流	功率	转数	重量
GBOC4010M12B(S)	sleeve/ball	12	0.98	1.1	5000	12
GBOC4010H24B(S)	sleeve/ball	24	0.84	2	7000	12