

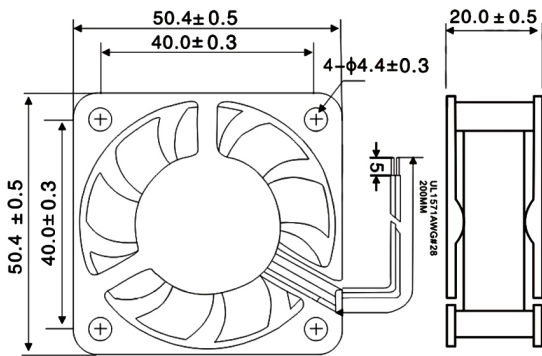
型号：5020



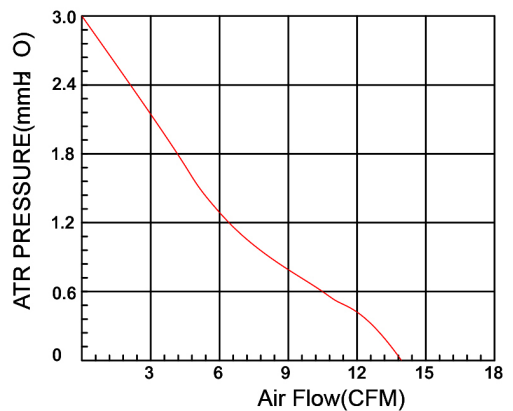
- (1) 轴承结构：含油/双滚珠
Bearing Construction: oil/double ball
- (2) 外框材质：PBT加强料
Frame material: PBT reinforced material
- (3) 扇叶材质：PBT加强料
Fan material: PBT reinforcing material
- (4) 线材：优质铜线
Wire: high quality copper wire
- (5) 风扇重量：29g
Fan weight: 29g



★ Dimensions Drawing(外观图)



★ Characteristic Curves(特性曲线)



MODEL	Bearing System	Rated Voltage (V)	Current (A)	Input Power (W)	Speed (RPM)	Weight (g)
型号	轴承	电压	电流	功率	转速	重量
GBOC5020S/B	sleeve/ball	24	0.8	2	2300	29