



(1) 品名：百叶窗

Name: Blinds

(2) 外壳材质：再生料/原料

Shell material: recycled material/raw material

(3) 工艺：普通/密封圈

Process: normal/sealing ring

(3) 工作环境：-10°C~±55°C

Working environment: -10 °C ~ ± 55 °C

(4) 防护等级：IP44

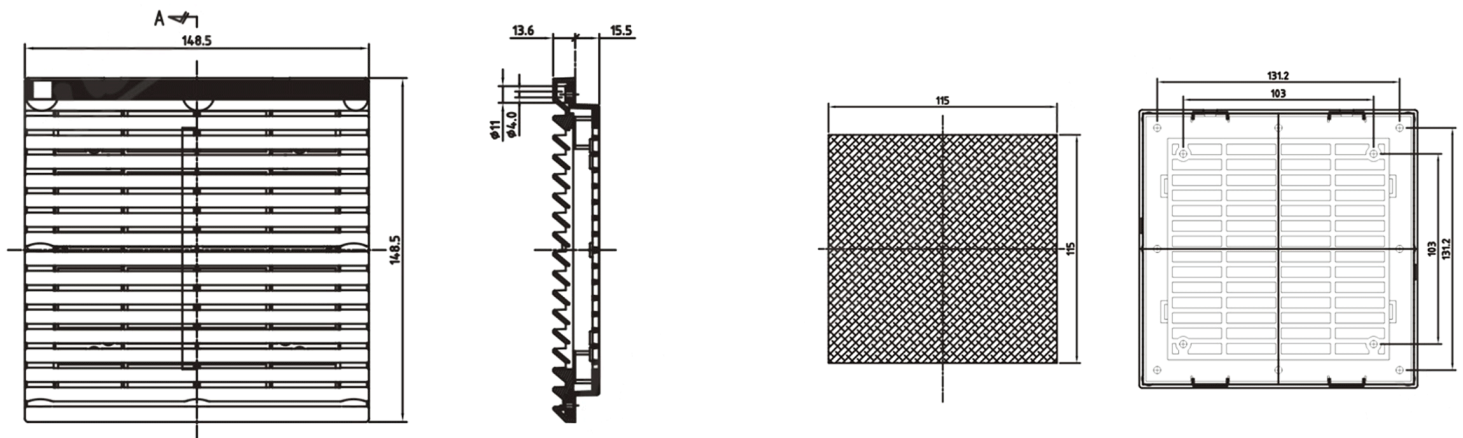
Containment level: IP44

(5) 防尘率：90%

Dustproof rate: 90%



Dimensions Drawing(外观图)



DC FAN
DC风扇

AC FAN
AC风扇

EC FAN
EC风扇

External Rotor Fan
外转子风机

Centrifugal Fan
离心风机

Constant current fan
恒流风机

Fan Shroud
风扇网罩