

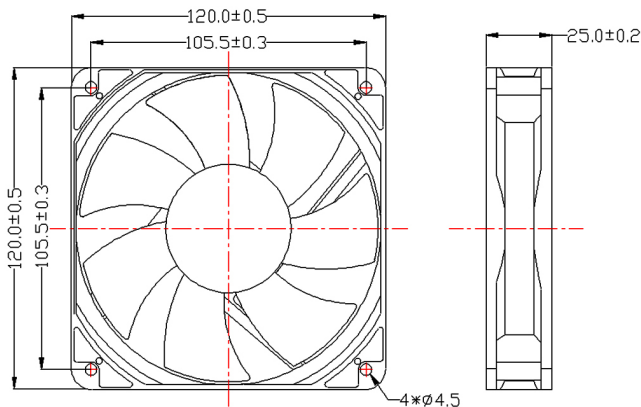
## 型号: 12025



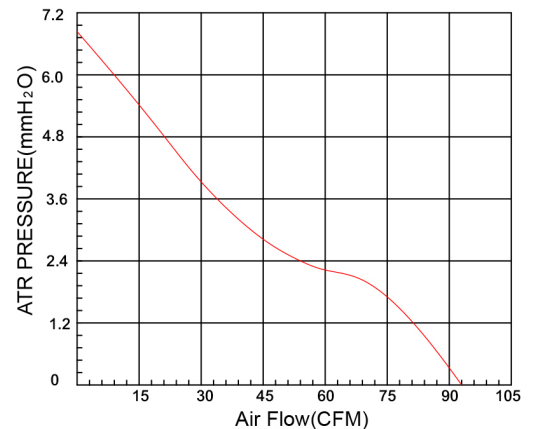
- (1) 轴承结构: 含油/双滚珠  
Bearing construction: oil/double ball
- (2) 外框材质: PBT加纤料  
Frame material: PBT reinforced material
- (3) 扇叶材质: PBT加纤料  
Fan material: PBT reinforcing material
- (4) 线材: 优质铜线  
Wire: high quality copper wire
- (5) 风扇重量: 135g  
Fan weight: 135g



### ★ Dimensions Drawing(外观图)



### ★ Characteristic Curves(特性曲线)



MODEL	Bearing System	Rated Voltage (V)	Freq (Hz)	Current (A)	Input Power (W)	Speed (RPM)	Air flow (CFM)	Static Pressure (mm-H <sub>2</sub> O)	Noise Level (dB-A)	Weight (g)
型号	轴承	电压	频率	电流	功率	转速	气流	风压	噪音	重量
L12025M05B(s)	sleeve/ball	5	50/60	0.16	0.8	1500	53.4	2	29	135
L12025M12B(s)	sleeve/ball	12	50/60	0.30	3.6	2700	93.2	3.5	38.5	135
L12025M24B(s)	sleeve/ball	24	50/60	0.20	4.8	3000	109.6	5.1	51	135

DC FAN  
DC风扇

AC FAN  
AC风扇

EC FAN  
EC风扇

External Rotor Fan  
外转子风机

Centrifugal Fan  
离心风机

Constant current fan  
恒流风机

Fan Shroud  
风扇网罩