

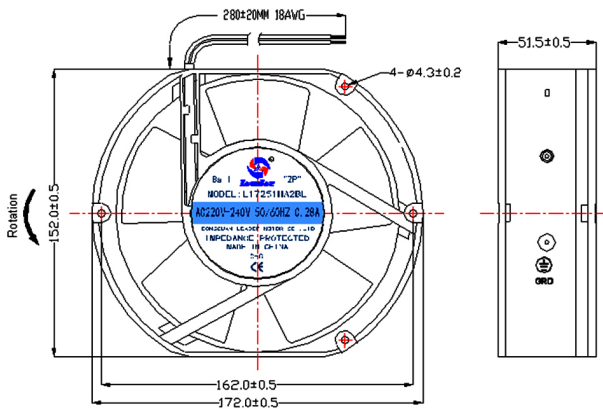
型号: 17251



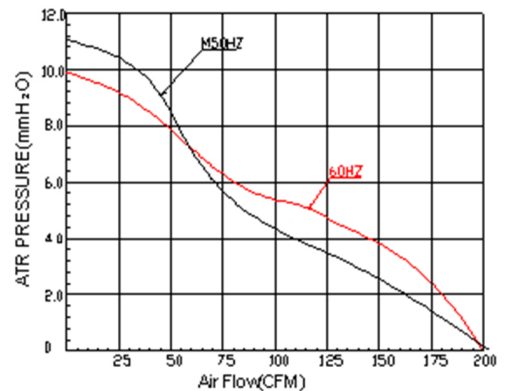
- (1) 轴承结构: 含油/NMB双滚珠
Bearing Construction: oil/double ball
- (2) 外框材质: 加强铝合金
Frame material: Aluminum Alloy
- (3) 扇叶材质: ABS环保防火料
Fan material: PBT reinforcing material
- (4) 线材: 粗铜线
Wire: ordinary wire
- (5) 风扇重量: 850g
Fan weight: 850g



★ Dimensions Drawing(外观图)



★ Characteristic Curves(特性曲线)



MODEL	Bearing System	Rated Voltage (V)	Freq (Hz)	Current (A)	Input Power (W)	Speed (RPM)	Air flow (CFM)	Static Pressure (mm-H ² O)	Niose Level (dB-A)	Weight (g)
型号	轴承	电压	频率	电流	功率	转数	气流	风压	噪音	重量
L17251HA2BL	Ball	220	50/60	0.25/0.22	38/36	2600/2900	200/210	11.5-9.8	52/56	850
L17251HA2SL	Sleeve	220	50	0.22	37	2400	200	9.8	52	850

DC FAN
DC风扇

AC FAN
AC风扇

EC FAN
EC风扇

External Rotor Fan
外转子风机

Centrifugal Fan
离心风机

Constant current fan
恒流风机

Fan Shroud
风扇网罩