

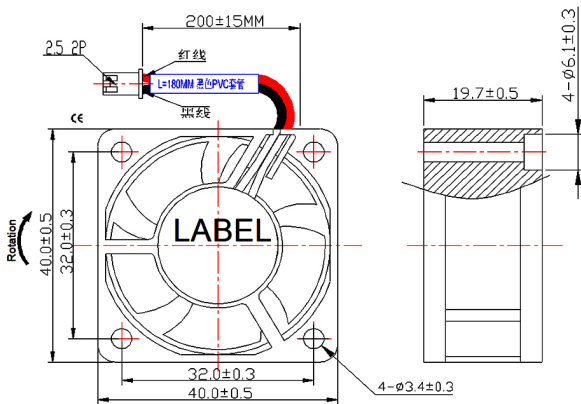
型号：4020



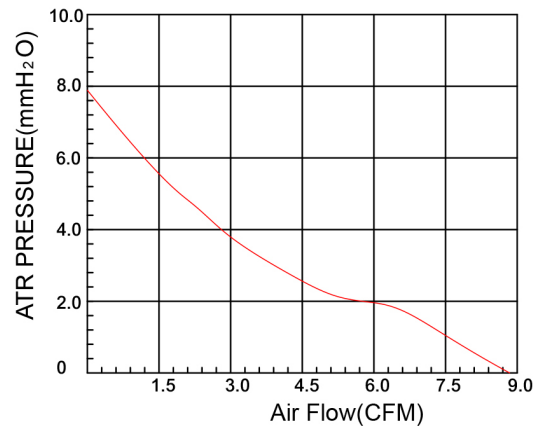
- (1) 轴承结构：含油/双滚珠
Bearing construction: oil/double ball
- (2) 外框材质：PBT加强料
Frame material: PBT reinforced material
- (3) 扇叶材质：PBT加强料
Fan material: PBT reinforcing material
- (4) 线材：优质铜线
Wire: high quality copper wire
- (5) 风扇重量：26g
Fan weight: 26g



★ Dimensions Drawing(外观图)



★ Characteristic Curves(特性曲线)



MODEL	Bearing System	Rated Voltage (V)	Freq (Hz)	Current (A)	Input Power (W)	Speed (RPM)	Air flow (CFM)	Static Pressure (mm-H ² O)	Niose Level (dB-A)	Weight (g)
型号	轴承	电压	频率	电流	功率	转速	气流	风压	噪音	重量
L4020M12B(S)	sleeve/ball	12	50/60	0.08	1.0	8000	8.9	7.8	26.5	26

DC FAN
DC风扇

AC FAN
AC风扇

EC FAN
EC风扇

External Rotor Fan
外转子风机

Centrifugal Fan
离心风机

Constant current fan
恒流风机

Fan Shroud
风扇网罩